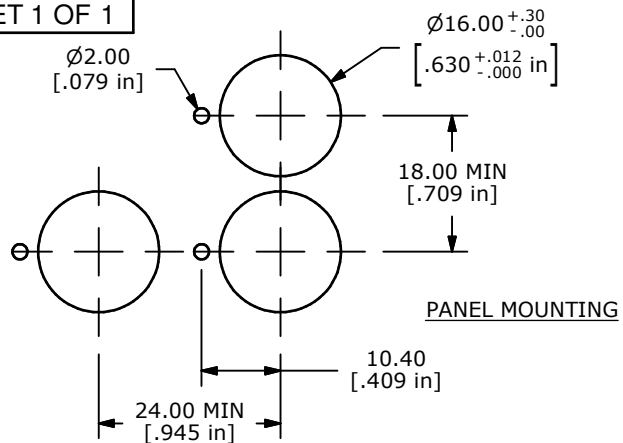
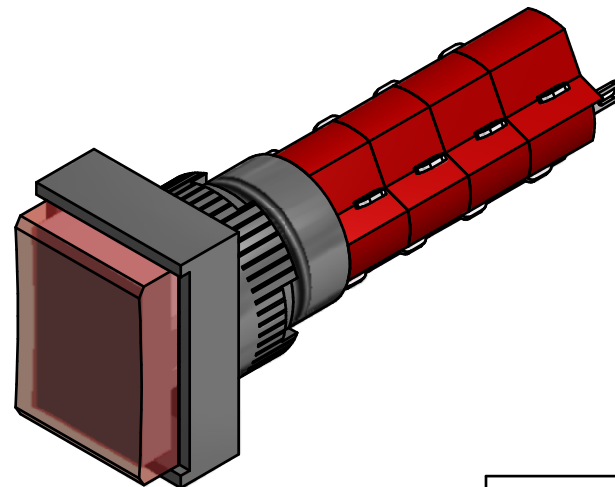
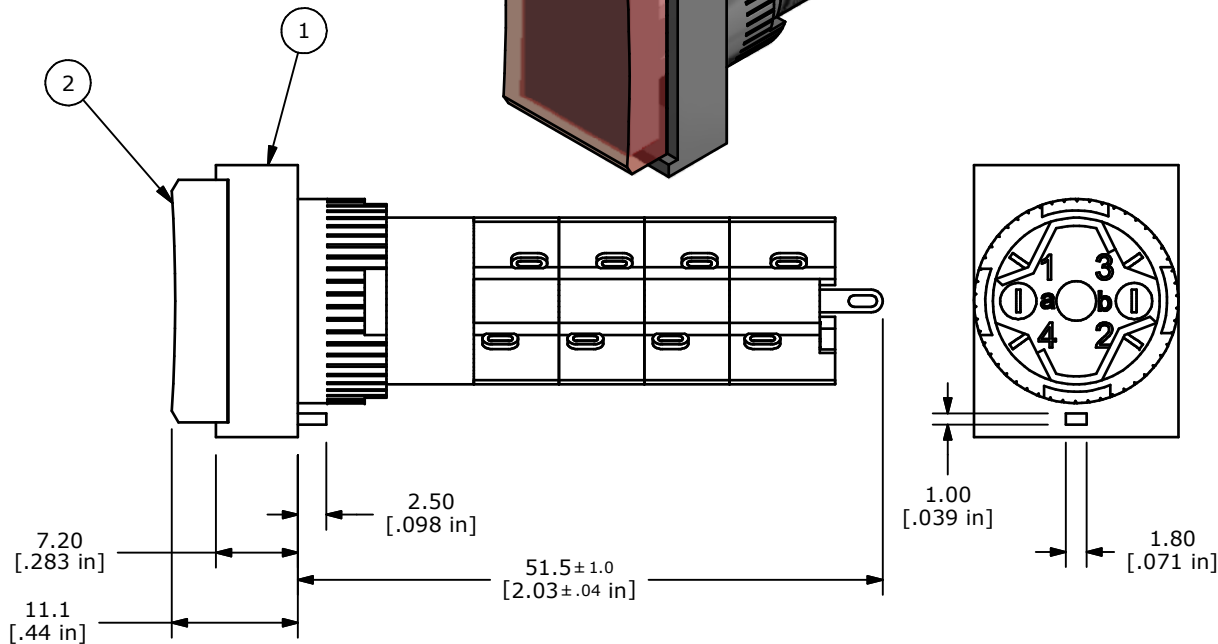
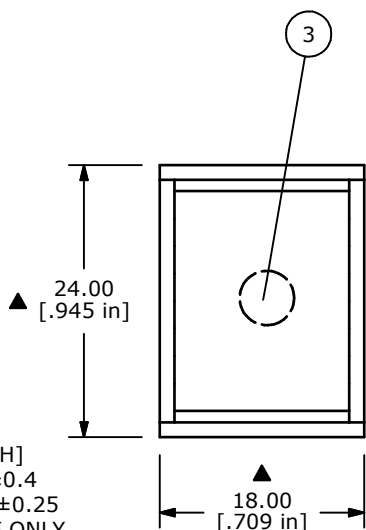
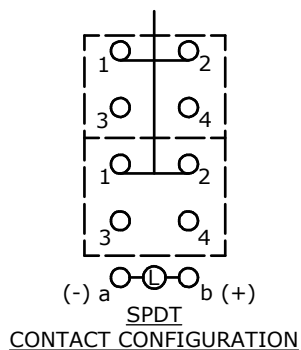


PARTS LIST				
ITEM	QTY	PART NUMBER	DESCRIPTION	
1	1	F040044	D16OAT14	
2	1	F052204	50-002-04 RED OPAQUE RECTANGULAR CONCAVE	
3	1	F050402	50-004-02 6V, 200mA INCANDESCENT BULB	



PANEL MOUNTING



- NOTE:
- ALL DIMENSIONS IN MM [INCH]
  - GENERAL TOLERANCE: X.X=±0.4  
X.XX=±0.25
  - TERMINAL NUMBERS FOR REF ONLY
  - ELECTRICAL LIFE: 50,000 OPERATIONS
  - CONTACT RATING: 5A @ 250 VAC, 8A @ 125 VAC  
6A @ 24 VDC
  - SEAL RATING: IP40
  - MOUNTING PANEL THICKNESS: 0.5 - 5.0 mm
  - INSULATION RESISTANCE: 1,000 MΩ MIN.
  - OPERATING TEMP.: -25°C to 55°C
  - TRAVEL: 3.0mm FULL
  - ▲ LAMP VOLTAGE: 6V AC/DC - 200 mA INCANDESCENT
  - ▲ DENOTES CRITICAL PARAMETER.
  - 2002/95/EC (ROHS) COMPLIANT.



A	21360	RELEASED FOR PRODUCTION	2/4/14	EBP
REV	PCR NO	DESCRIPTION	DATE	BY

TITLE D16OAT14ARED				
SCALE	DATE	DR	DWG	REV
	2/4/2014	EBP	XF0888P	A

THE INFORMATION CONTAINED IN THIS DOCUMENT IS PROPRIETARY TO E-SWITCH AND IS NOT TO BE COPIED OR TRANSFERRED